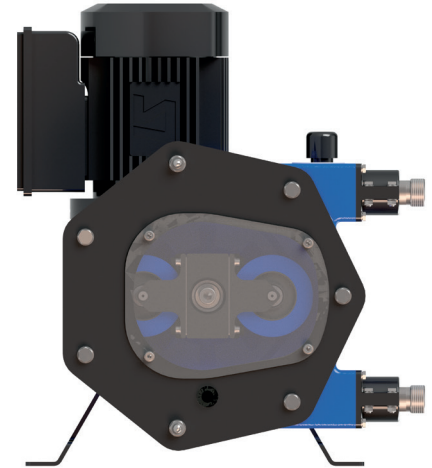
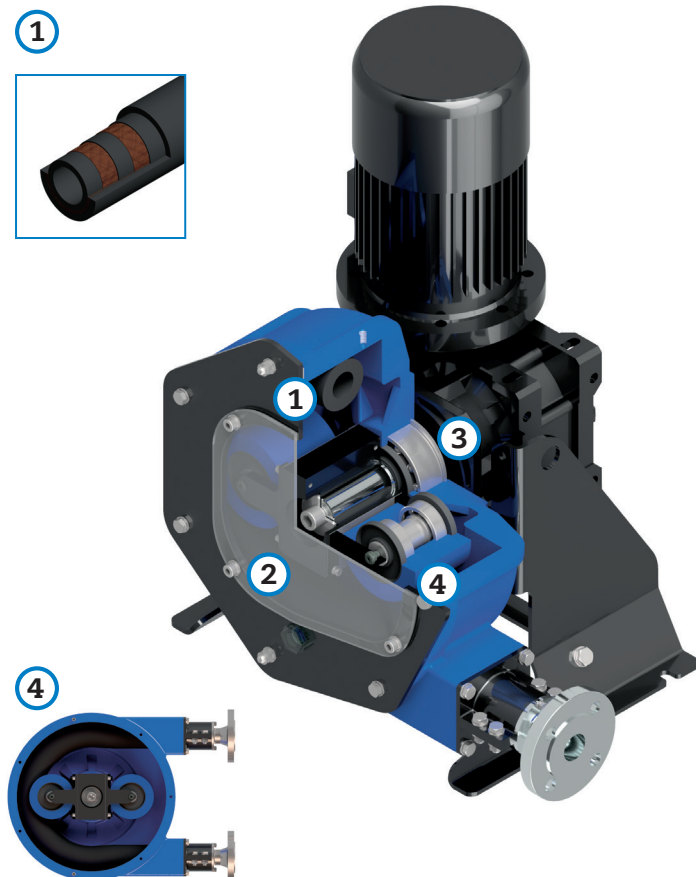


PERIBEST I12 DATASHEET

TECHNICAL SPECIFICATIONS	MODEL I12
Max. Flow (continuous)	180 l/h
Capacity	0,037 l/rev
Max. Discharge Pressure	10 bar
Max. Temperature	80 °C
Inner Diameter	13 mm.
Hose material	NR, EPDM and NBR (Food Grade)
Connections material	AISI-316, PP, PVDF (PTFE)
Pump casing material	Alluminium (powder coated)
Rollers material	Hard alluminium (Anodized)



MAIN FEATURES AND BENEFITS



1 LATEST TECHNOLOGY PERISTALTIC HOSE.

SAVING ON HOSE CONSUMPTION AND EASE OF INSTALLATION DOWNTIME OPTIMISATION.

2 EASE OF ASSEMBLY, OPERATION AND MAINTENANCE.

SAVING ON MAINTENANCE COSTS AND EASE OF ASSEMBLY. LESS DOWNTIME.

3 EXTREMELY HEAVY DUTY DESIGN FOR THE MOST DEMANDING APPLICATIONS UP TO 10 BAR.

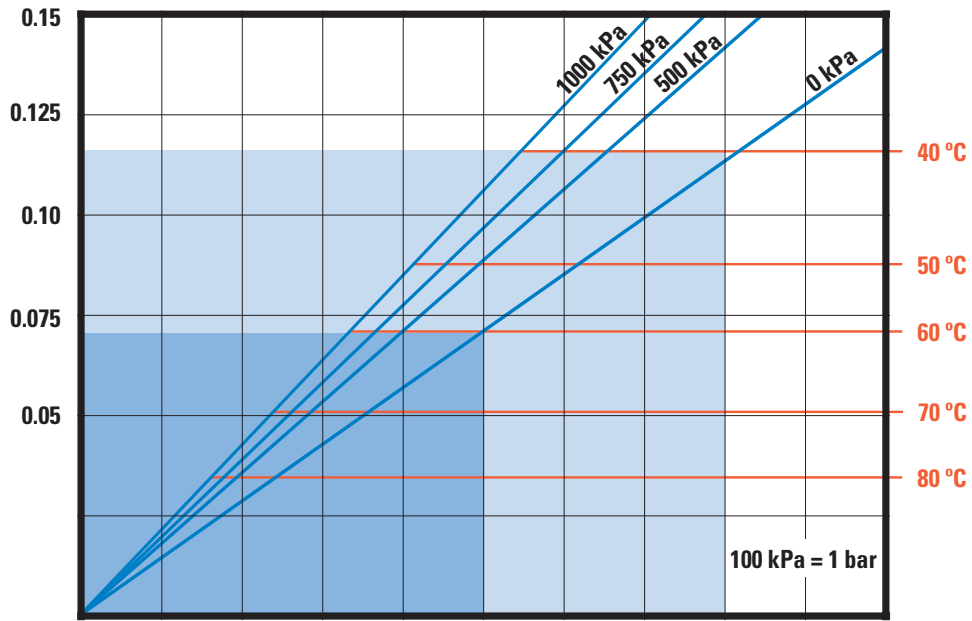
UNMATCHED PUMP LIFE AND EXCELLENT EQUIPMENT PERFORMANCE UNDER ANY OPERATING CONDITIONS HOWEVER DEMANDING.

4 XXL ROLLER TECHNOLOGY.

MAJOR ENERGY SAVINGS, HIGHER NUMBER OF HOSE WORKING HOURS AND EASE OF OPERATION.

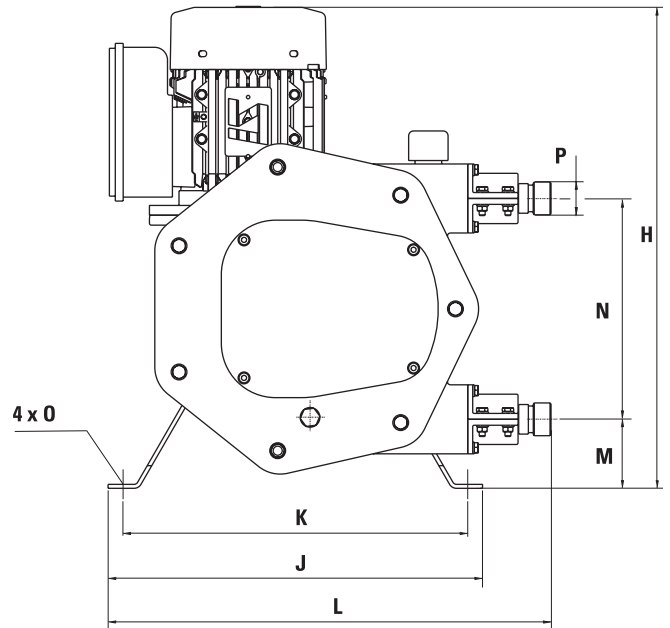
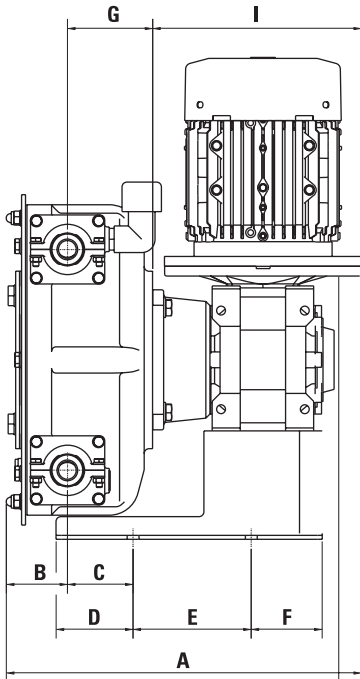
REQUIRED
MOTOR POWER (KW)

PRODUCT
TEMPERATURE (°C)



PUMP SPEED (RPM)	10	20	30	40	50	60	70	80	90	100
CAPACITY (L/H)	22	45	67	89	112	134	156	178	201	223

PRESSURE (kPa)	0 kPa	500 kPa	750 kPa	1000 kPa
TORQUE (Nm)	14	17	19	21



MODEL	A*	B	C	D	E	F	G	H	I*	J	K	L	M	N	O	P
I12	240,3	47,5	50	54,3	80	32,8	55,8	367	137	265	235	305	62	116	12	BSP 3/8"

*Depending on the driver, dimensions could change.