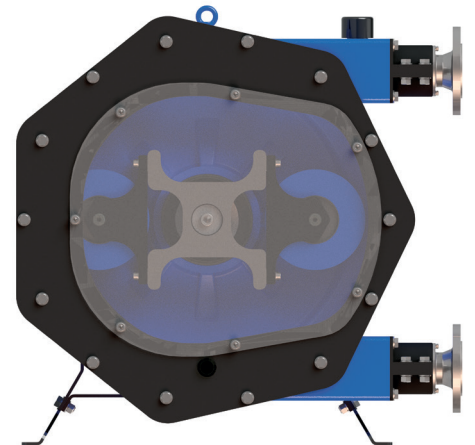


# PERIBEST I55 DATASHEET

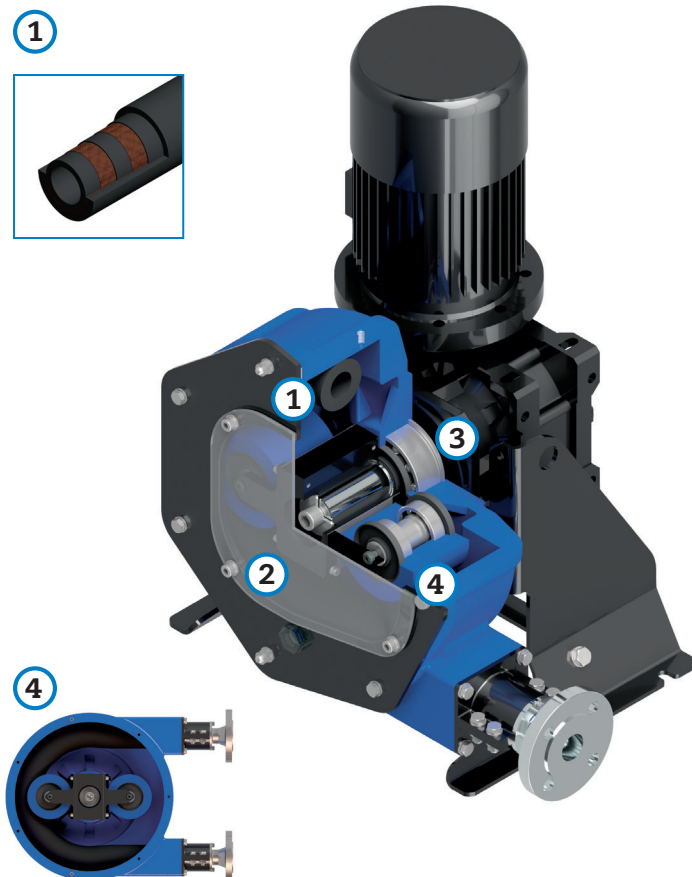
PERIBEST  
pumps



TECHNICAL SPECIFICATIONS	MODEL I55
Max. Flow (continuous)	13000 l/h
Capacity	3,533 l/rev
Max. Discharge Pressure	10 bar
Max. Temperature	80 °C
Inner Diameter	55 mm.
Hose material	NR, EPDM and NBR (Food Grade)
Connections material	AISI-316, PP, PVDF (PTFE)
Pump casing material	Cast Iron (powder coated)
Rollers material	Hard aluminium (Anodized)



## MAIN FEATURES AND BENEFITS



### 1 LATEST TECHNOLOGY PERISTALTIC HOSE.

SAVING ON HOSE CONSUMPTION AND EASE OF INSTALLATION DOWNTIME OPTIMISATION.

### 2 EASE OF ASSEMBLY, OPERATION AND MAINTENANCE.

SAVING ON MAINTENANCE COSTS AND EASE OF ASSEMBLY. LESS DOWNTIME.

### 3 EXTREMELY HEAVY DUTY DESIGN FOR THE MOST DEMANDING APPLICATIONS UP TO 10 BAR.

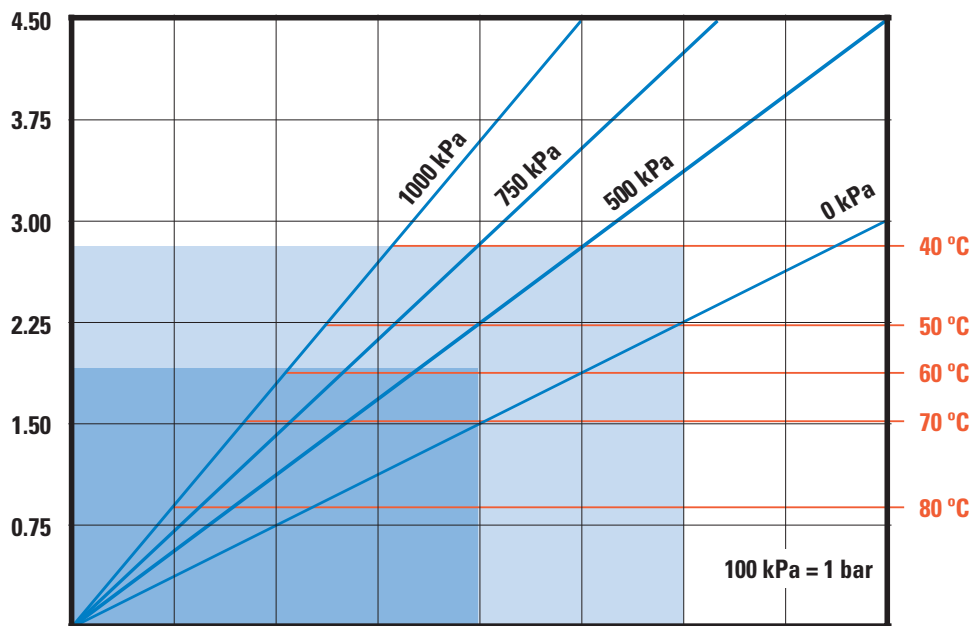
UNMATCHED PUMP LIFE AND EXCELLENT EQUIPMENT PERFORMANCE UNDER ANY OPERATING CONDITIONS HOWEVER DEMANDING.

### 4 XXL ROLLER TECHNOLOGY.

MAJOR ENERGY SAVINGS, HIGHER NUMBER OF HOSE WORKING HOURS AND EASE OF OPERATION.

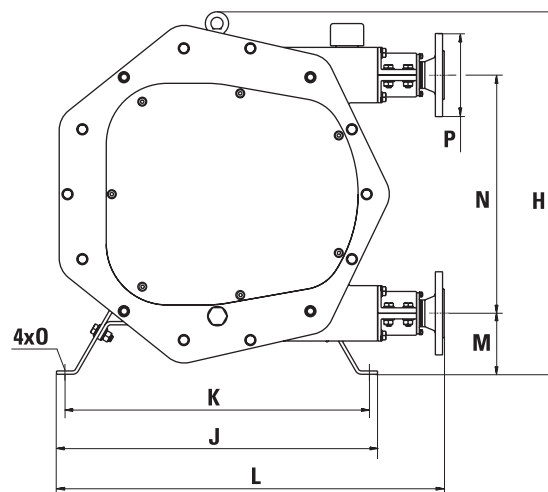
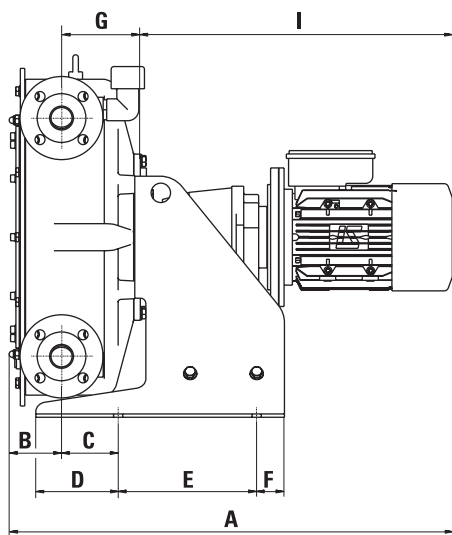
REQUIRED  
MOTOR POWER (KW)

PRODUCT  
TEMPERATURE (°C)



PUMP SPEED (RPM)	10	20	30	40	50	60	70	80
CAPACITY (L/H)	2120	4240	6360	8480	10600	12720	14839	16959

<b>PRESSURE (kPa)</b>	0 kPa	500 kPa	750 kPa	1000 kPa
<b>TORQUE (Nm)</b>	360	540	670	870



MODEL	A*	B	C	D	E	F	G	H	I*	J	K	L	M	N	O	P
I55	947,1	107	95	129	380	39,5	156,5	820	684	690	660	820	143	554	16	DN-50

\*Depending on the driver, dimensions could change.

[www.peribest.com](http://www.peribest.com)

Production Plant  
**PeriBest Pumps S.L.**  
 C/ Can Parellada, num. 26 Nave 10  
 Pol. Ind. Sector H  
 E-08170 Montornés del Vallés  
**Barcelona**  
 Tel. +34 935 992 214